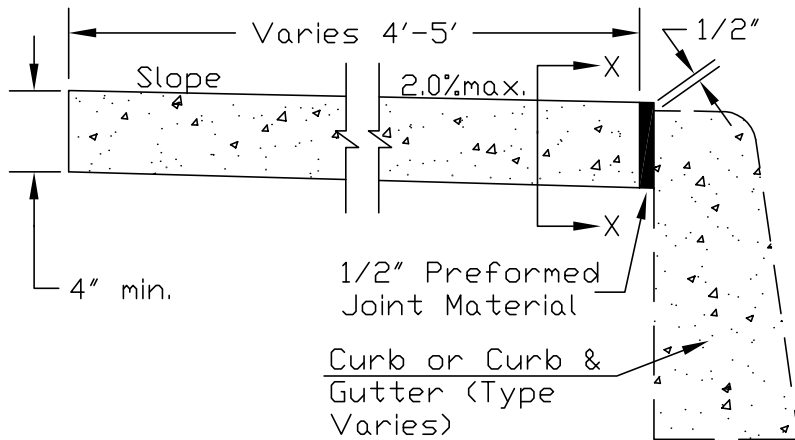


NOTES:

- 1.) All sidewalk edges and formed joints shall be rounded with 1/4" radius tool.
- 2.) Concrete for sidewalk shall be 3500 psi concrete.
- 3.) Subgrade for sidewalk shall be a minimum of 2" thick of either "B" Borrow or No. 53 crushed stone and mechanically compacted.
- 4.) The cost of the sidewalk shall include all of the above items.

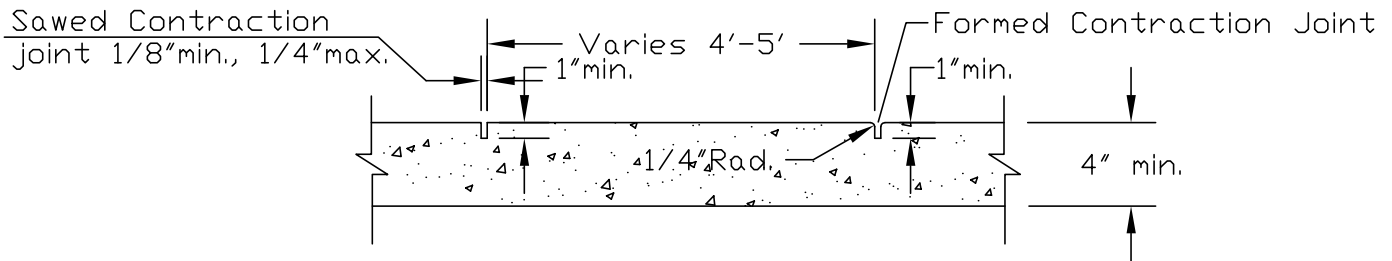
MONOLITHIC CURB & SIDEWALK



NOTES:

- 1.) All sidewalk edges and formed joints shall be rounded with 1/4" radius tool.
- 2.) Concrete for sidewalk shall be 3500 psi concrete.
- 3.) Subgrade for sidewalk shall be a minimum of 2" thick of either "B" Borrow or No. 53 crushed stone and mechanically compacted.
- 4.) The cost of the sidewalk shall include all of the above items.

SIDEWALK SEPARATE FROM CURB



CONTRACTION JOINTS

DETAIL D-3

Sidewalk, Monolithic and Separate
Scale 1"=1' (Rev. Date 10/31/97)