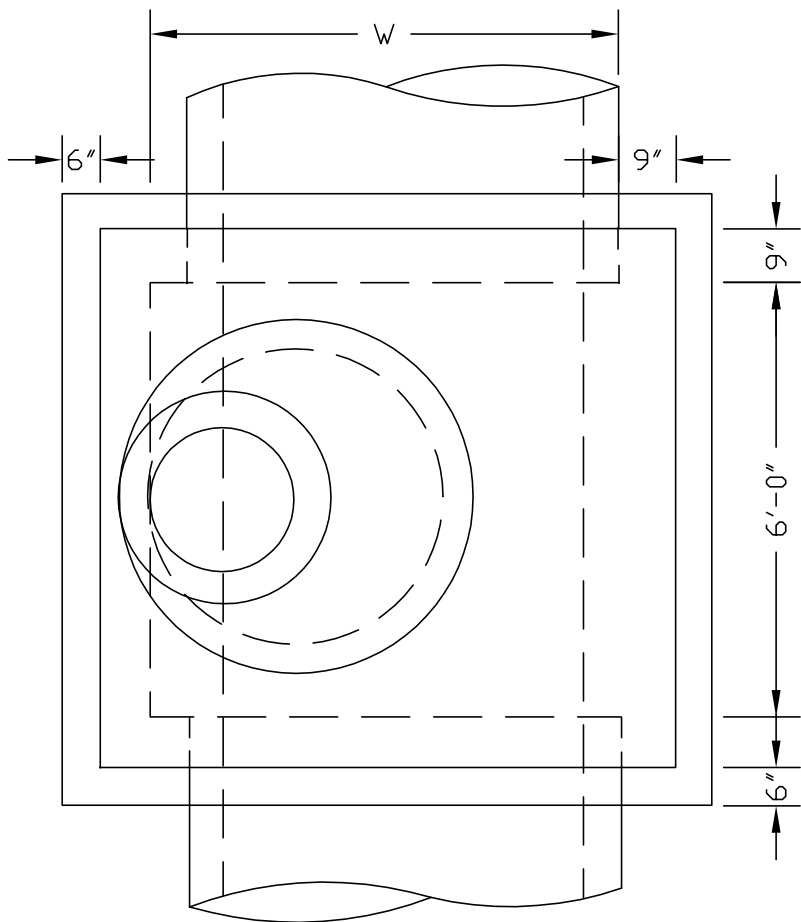


REINFORCING STEEL FOR MANHOLES

M.H. FOR 27" TO 42"				M.H. FOR 48" TO 60"				M.H. FOR 66" TO 84"				M.H. FOR 90" TO 108"				
BARS	LENGTH	NO.	SPA	SIZE	LENGTH	NO.	SPA	SIZE	LENGTH	NO.	SPA	SIZE	LENGTH	NO.	SPA	SIZE
B	8'-0"	10	9"	No.5	8'-0"	12	9"	No.5	8'-0"	16	9"	No.5	8'-0"	19	9"	No.5
B1	6'-9"	12	9"	No.5	8'-6"	12	9"	No.5	11'-0"	12	9"	No.5	13'-3"	12	9"	No.5
E	7'-3"	3	2"	No.5	7'-3"	3	2"	No.5	7'-3"	3	2"	No.5	7'-3"	3	2"	No.5
H	8'-6"	22	6"	No.5	8'-6"	33	6"	No.5	8'-6"	41	6"	No.5	8'-6"	58	6"	No.5
L	3'-0"	16	12"	No.5	3'-0"	16	12"	No.5	3'-0"	16	12"	No.5	3'-0"	16	12"	No.5
T	1'-3"	16	6"	No.5	3'-0"	16	6"	No.5	5'-3"	16	6"	No.5	7'-6"	16	6"	No.5
V	5'-0"	16	6"	No.5	6'-9"	16	6"	No.5	9'-0"	16	6"	No.5	11'-6"	16	6"	No.5
V1	4'-9"	16	6"	No.5	6'-6"	16	6"	No.5	8'-9"	16	6"	No.5	11'-3"	16	6"	No.5



TOP VIEW

NOTES:

- 1.) See Plans for casting size and type.
- 2.) Manhole steps shall be cast iron or plastic coated steel, weighing not less than ten pounds each.
- 3.) Concrete for poured base, box, and collars shall be 3500 psi concrete. Precast concrete shall conform to ASTM C-478.
- 4.) Where headroom is limited, a precast cover may be substituted for the eccentric cone shown. See Detail B-4 for detail.
- 5.) Base may be precast or poured in place concrete. When precast base is used a 6" base of No. 53 crushed stone will be required and all connecting pipes shall be grouted with a 6" concrete collar.
- 6.) In unpaved areas use a 6" concrete collar to hold grade rings and casting in place.
- 7.) The M.H. shall be backfilled per plans and specifications.
- 8.) The cost of the manhole shall include all of the above items.

DETAIL B-5b

Rectangular Manhole for 27" to 108" Diameter Pipes
 No Scale (Rev. Date 09/01/04)