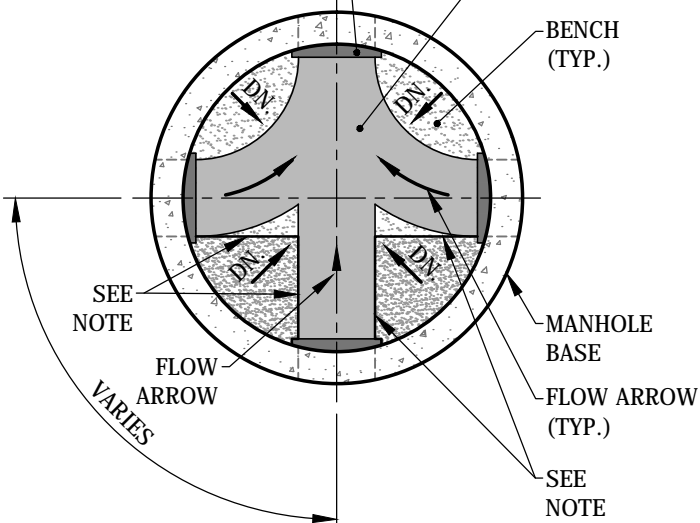


1 1/2" WIDE x 1" DEEP SLOT
(TYP.) FOR PIPE CLEARANCE

CHANNEL
(TYP.)

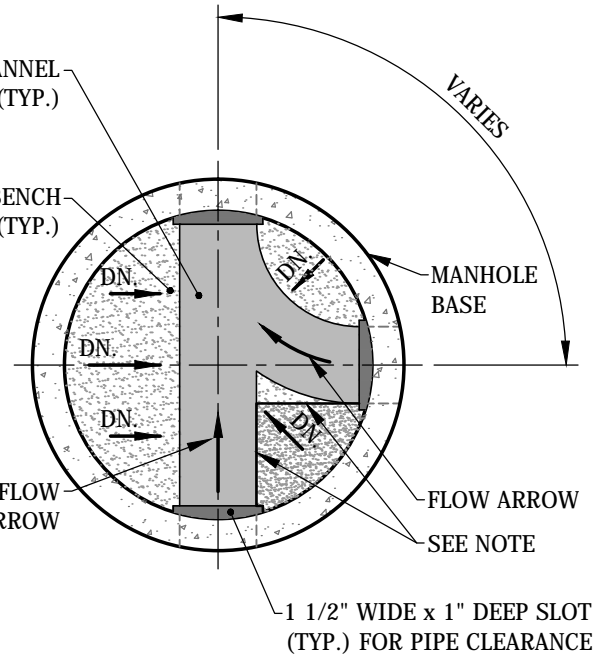


TYPICAL 4-WAY FLOW

CHANNEL
(TYP.)

BENCH
(TYP.)

FLOW
ARROW



TYPICAL 3-WAY FLOW

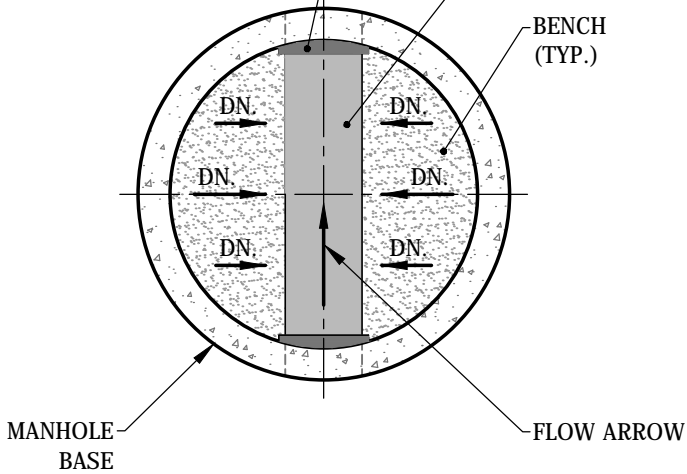
NOTE:

1. WALLS SHALL BE FLARED OUT AS REQUIRED SO THAT TESTING EQUIPMENT CAN BE SAFELY REMOVED.
2. ALL NON-TYPICAL BENCHES AND CHANNELS WILL REQUIRE A SPECIAL DETAIL ON THE PLANS.

1 1/2" WIDE x 1" DEEP SLOT
(TYP.) FOR PIPE CLEARANCE

CHANNEL
(TYP.)

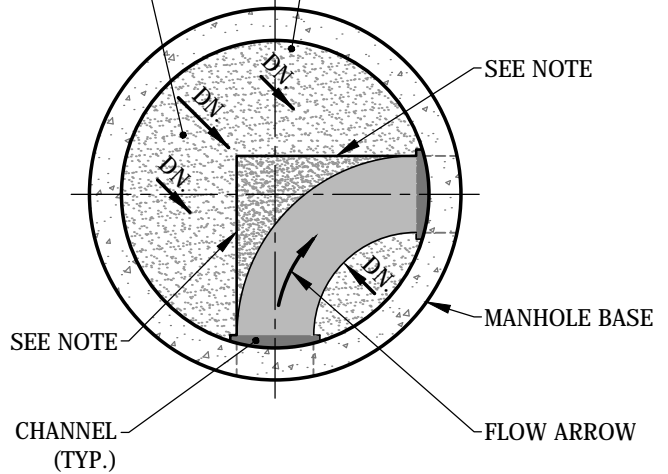
BENCH
(TYP.)



TYPICAL STRAIGHT FLOW

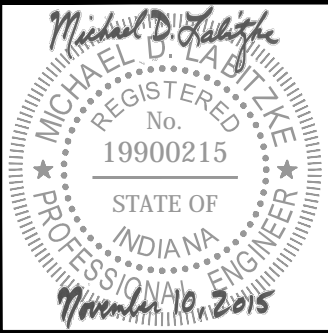
BENCH
(TYP.)

1 1/2" WIDE x 1" DEEP SLOT
(TYP.) FOR PIPE CLEARANCE



TYPICAL CURVE FLOW

File: F:\ENGINEER\AUTOCAD\Standards\Drawings\Sewer\WW-06 Standard Manhole Benches & Channels.dwg



**STANDARD MANHOLE
BENCHES AND CHANNELS**

Approved: 11/10/15

Adopted: 11/10/15

Figure

Approved By: Michael D. Labitzke, P.E.

Scale: N.T.S.

WW-06