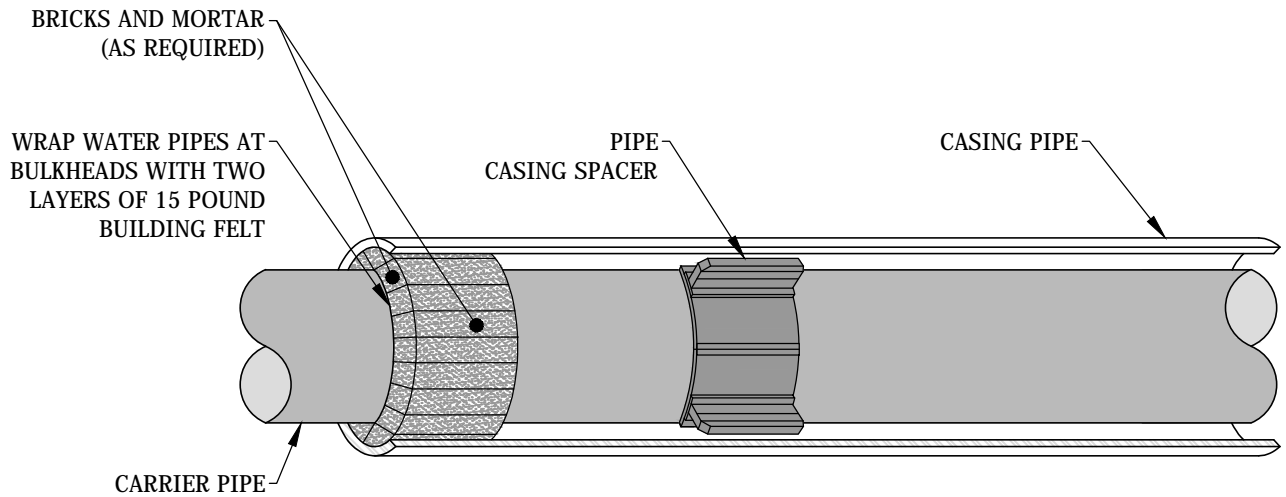


METHOD 'A'

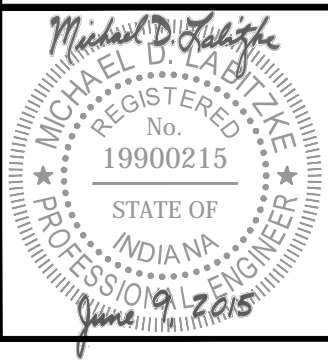


NOTE:

1. THIS STANDARD IS APPLICABLE FOR 4" DIAMETER AND LARGER CARRIER PIPE.

METHOD 'B'

File: F:\ENGINEER\AUTOCAD\Standards\Detail Drawings\Water\DW19\Typical Casing End Seal.dwg



TYPICAL CASING END SEALS

Approved: 06/09/15	Adopted: 06/09/15	Figure DW19
Approved By: Michael D. Labitzke, P.E.	Scale: N.T.S.	