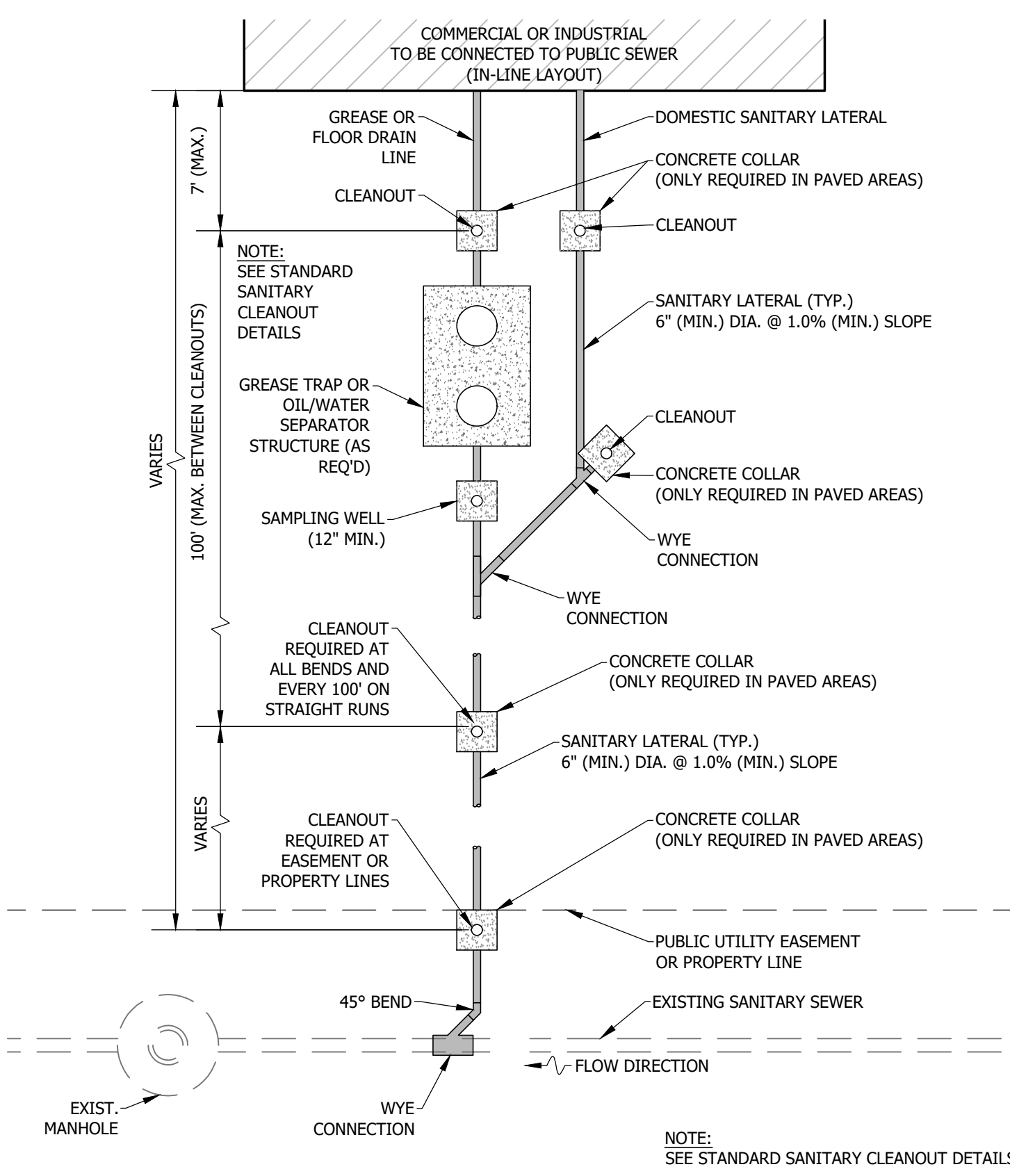
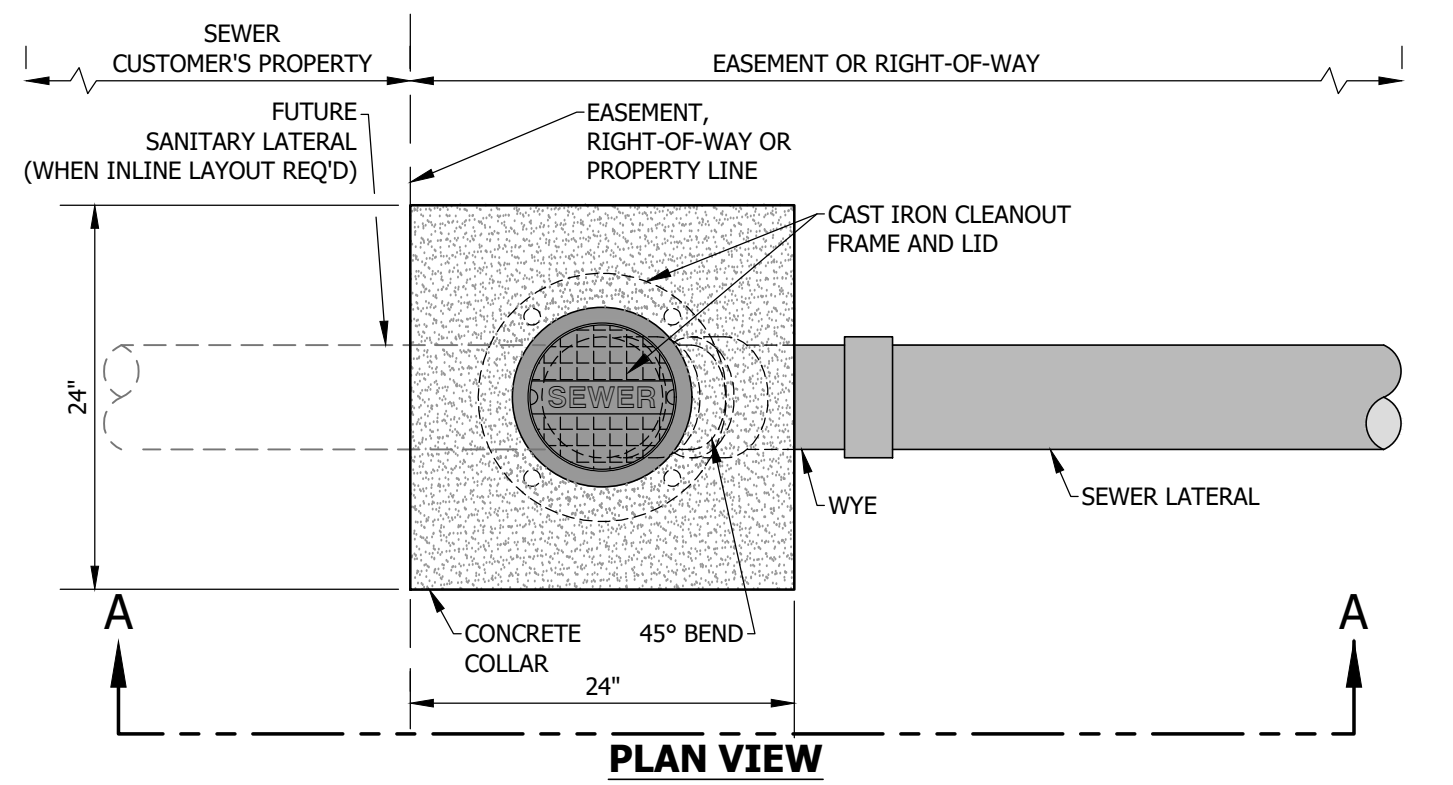
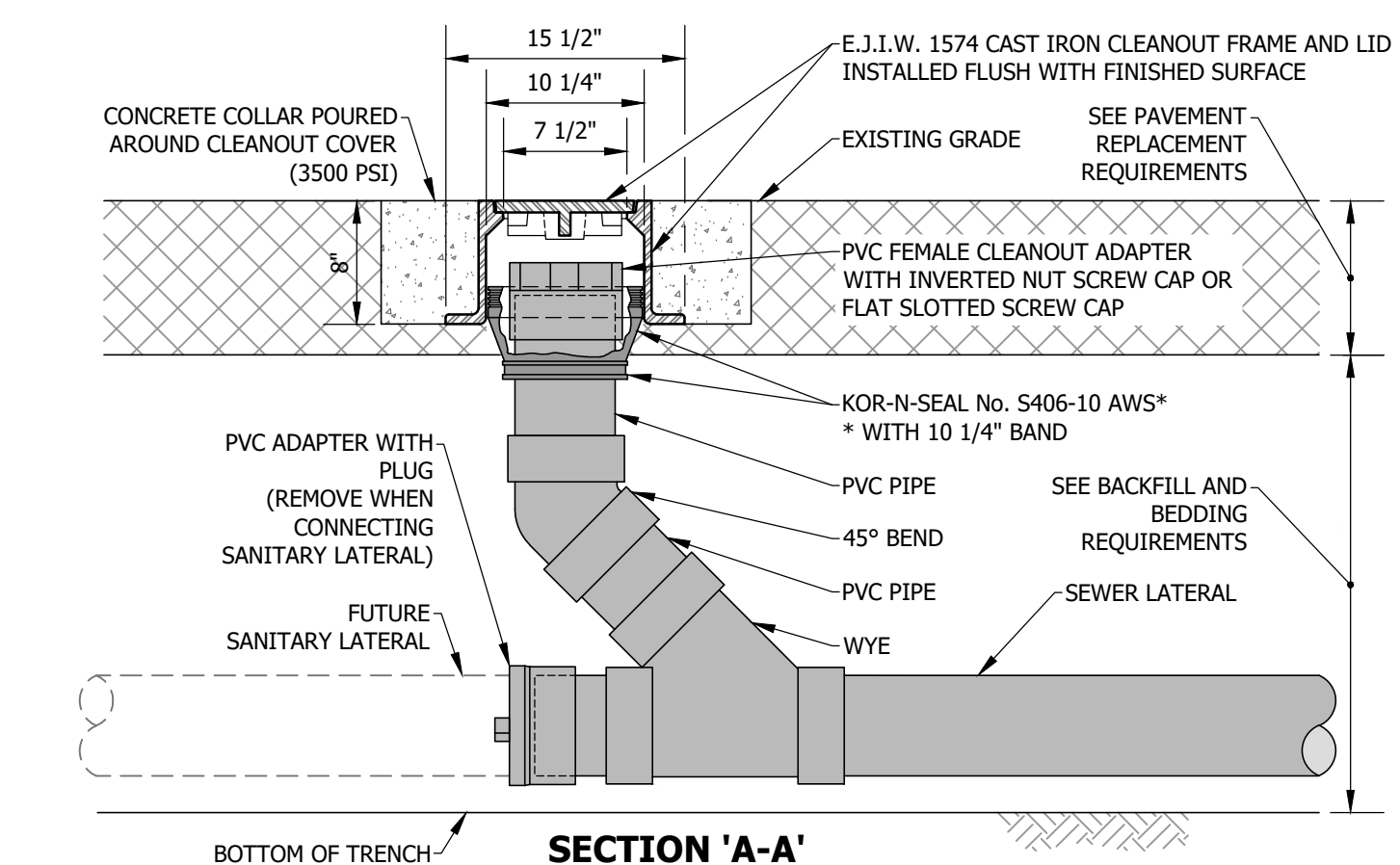


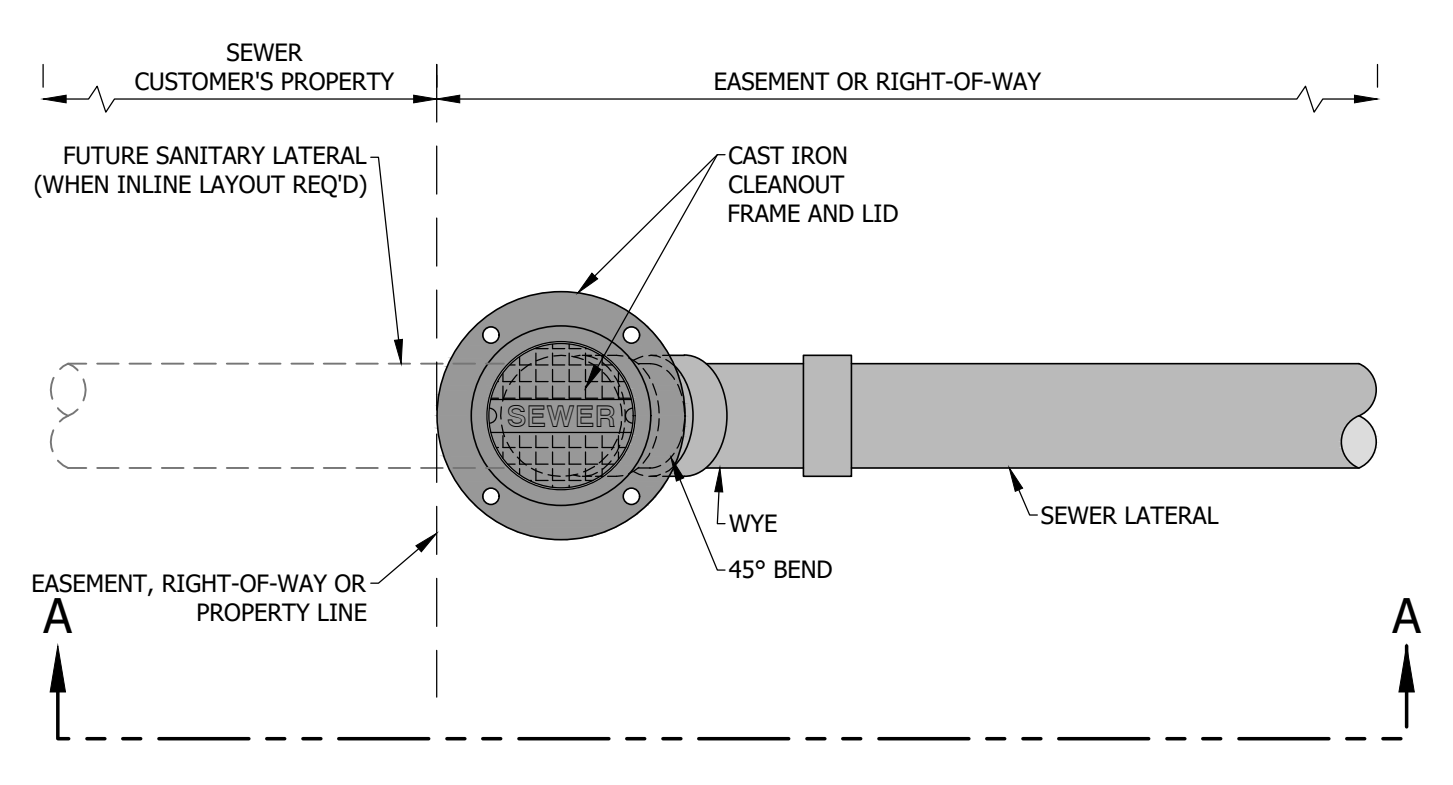
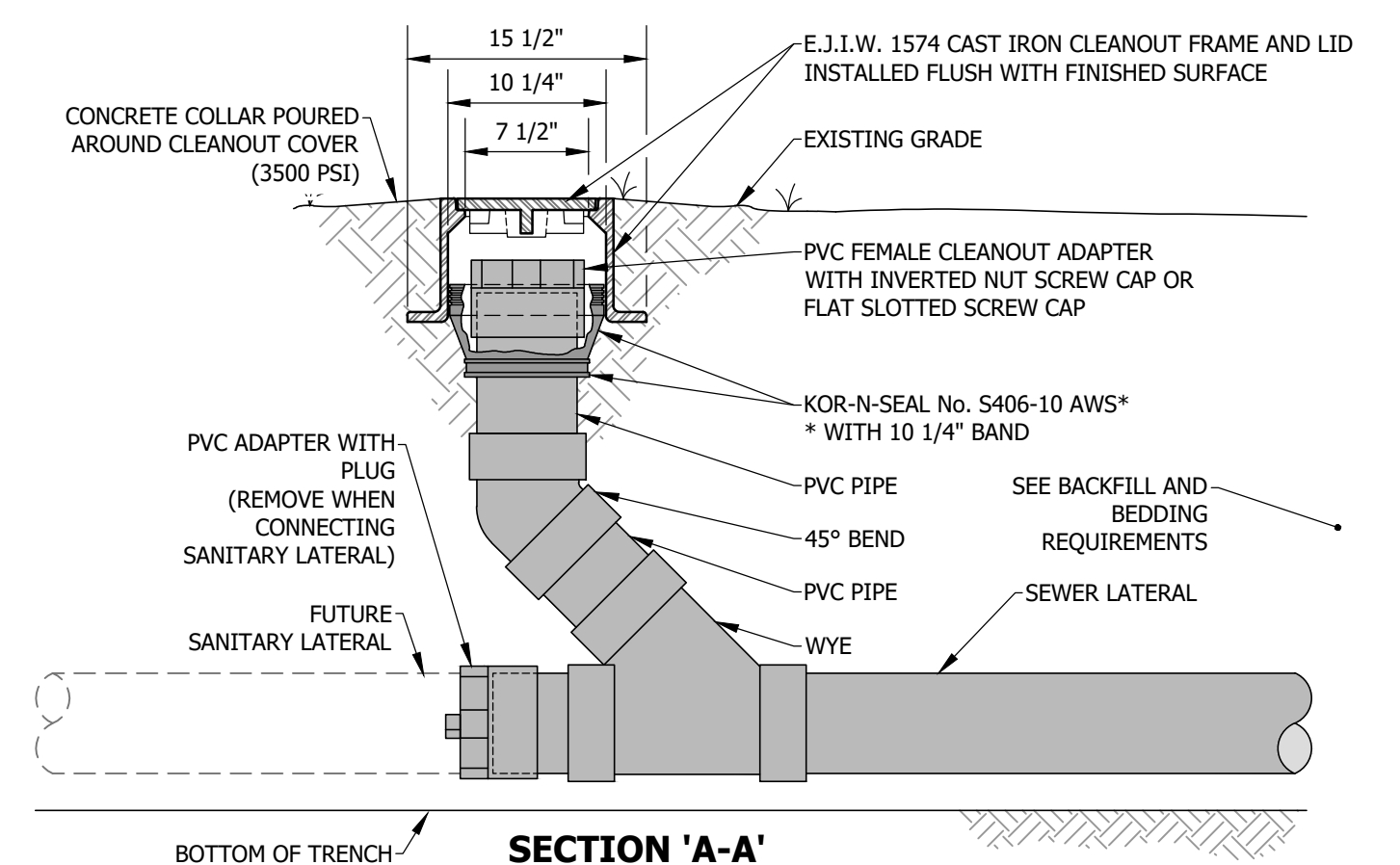
WW-17 - LATERAL SEWER CONNECTION LAYOUT (RESIDENTIAL)
SCALE: N.T.S.



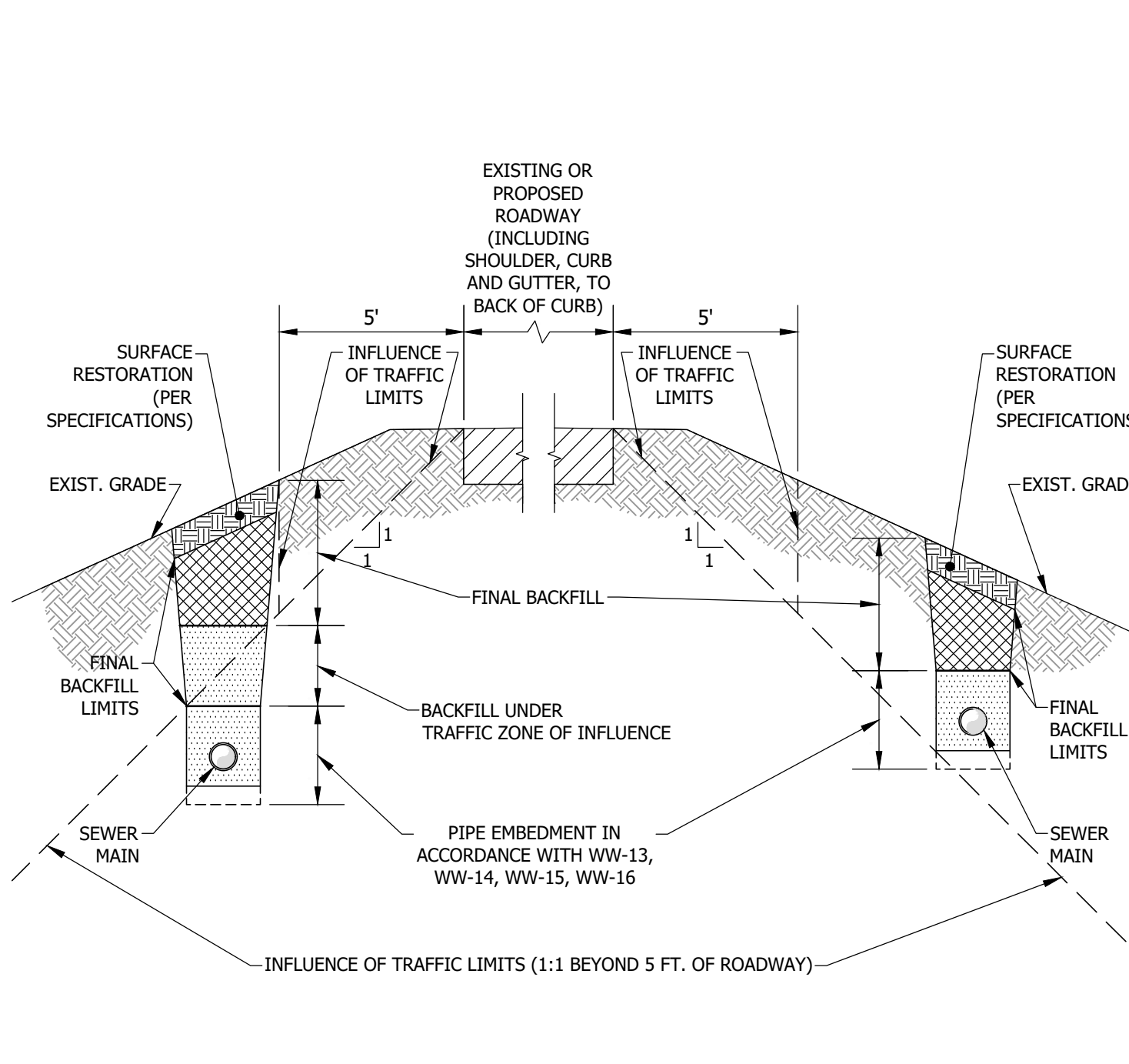
WW-18 - LATERAL SEWER CONNECTION LAYOUT (COMMERCIAL)
SCALE: N.T.S.



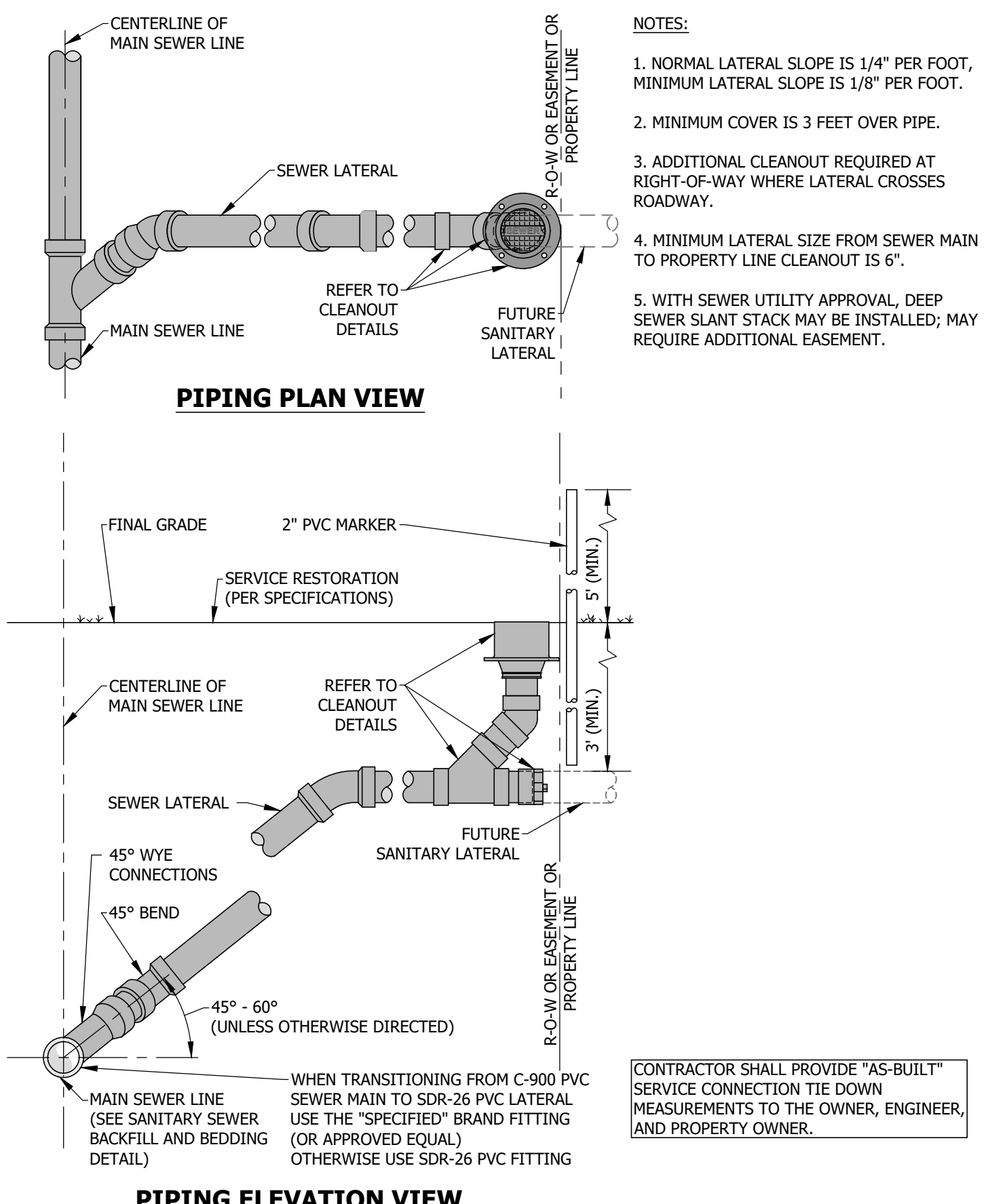
WW-19 - STANDARD SANITARY CLEANOUT IN PAVED AREAS
SCALE: N.T.S.



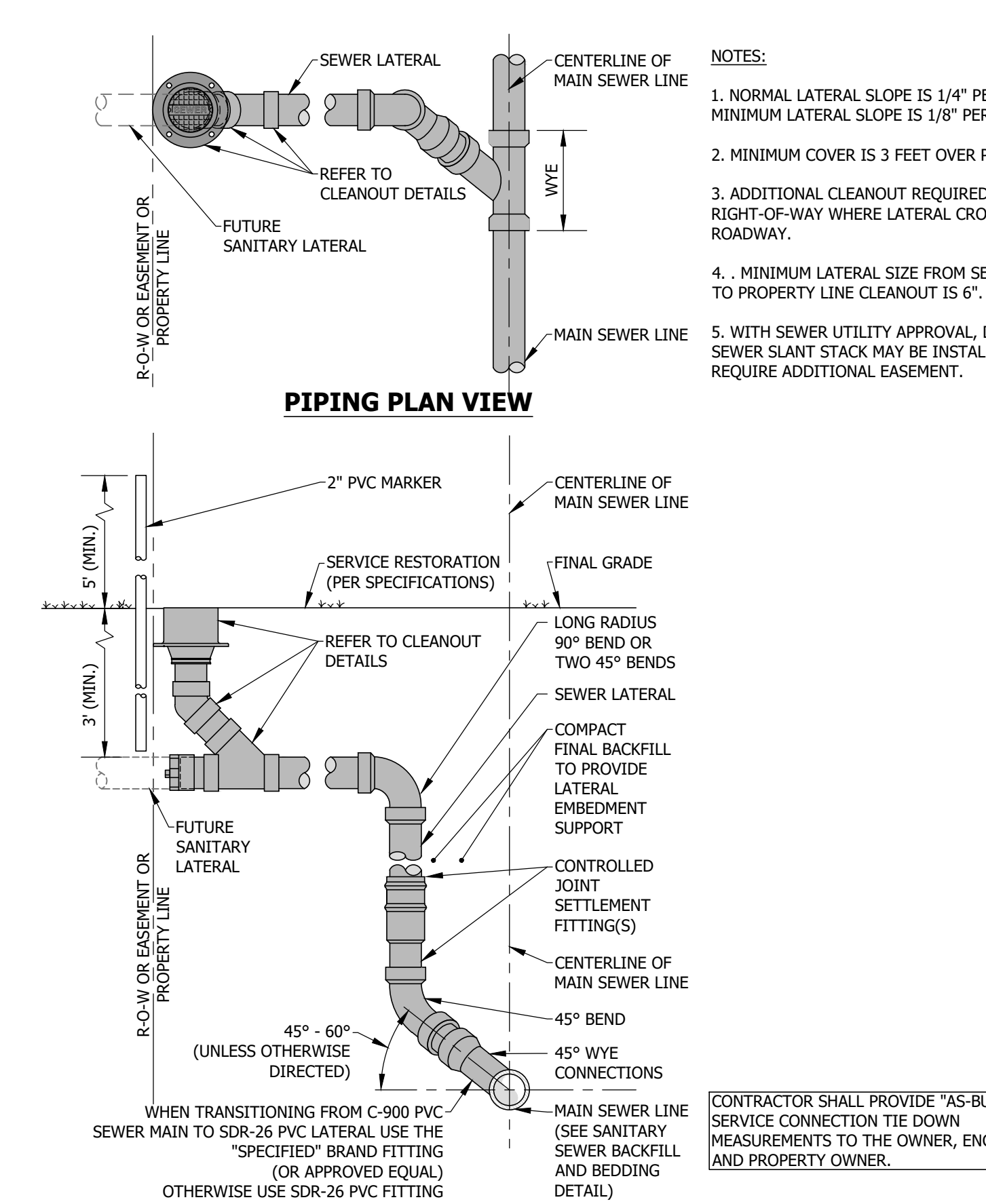
WW-20 - STANDARD SANITARY CLEANOUT IN UN-PAVED AREAS
SCALE: N.T.S.



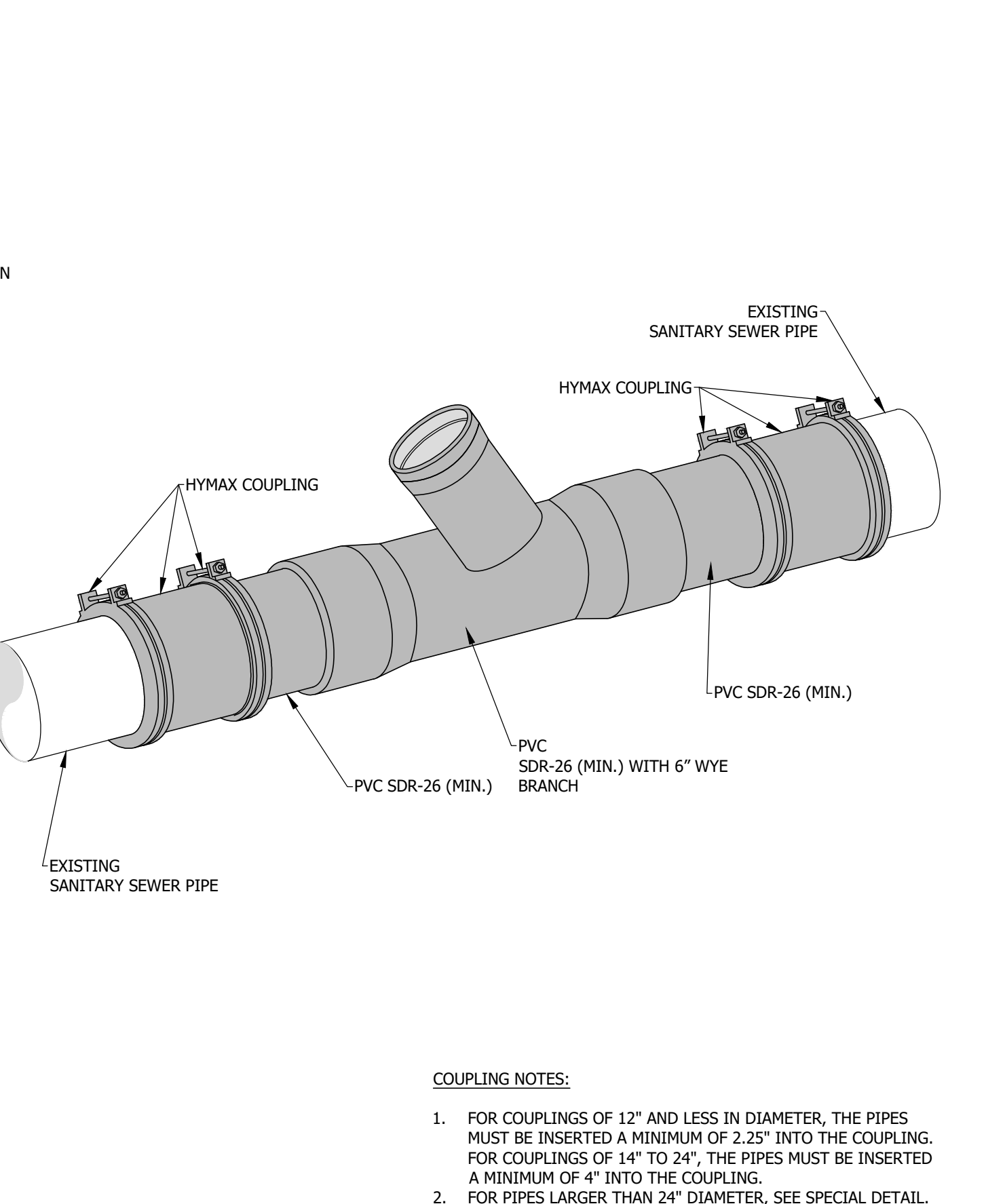
WW-21 - FINAL BACKFILL AND TRAFFIC INFLUENCE DETAIL
SCALE: N.T.S.



WW-22 - SHALLOW SANITARY SERVICE CONNECTION
SCALE: N.T.S.



WW-23 - DEEP SANITARY SERVICE CONNECTION
SCALE: N.T.S.



WW-24 - SANITARY SERVICE CONNECTION TO EXISTING PIPE
SCALE: N.T.S.

APPROVED:	02/28/17	ADOPTED:	02/28/17
APPROVED BY:	M.D.L.	SCALE:	N.T.S.
FIGURES:	WW-17 THROUGH WW-24	TITLE:	
DATE:			

EVANSVILLE WATER AND SEWER UTILITY
1931 Aliens Lane - Evansville, IN 47720 (812) 421-2126

STANDARD SANITARY SEWER DETAILS

REVISIONS	DESCRIPTION	DATE	APPROVED

File: J:\ENGINEER\AUTOCAD\Standards\Detail Drawings\Sewer\03-DETAILS - WW-17 through WW-24.dwg