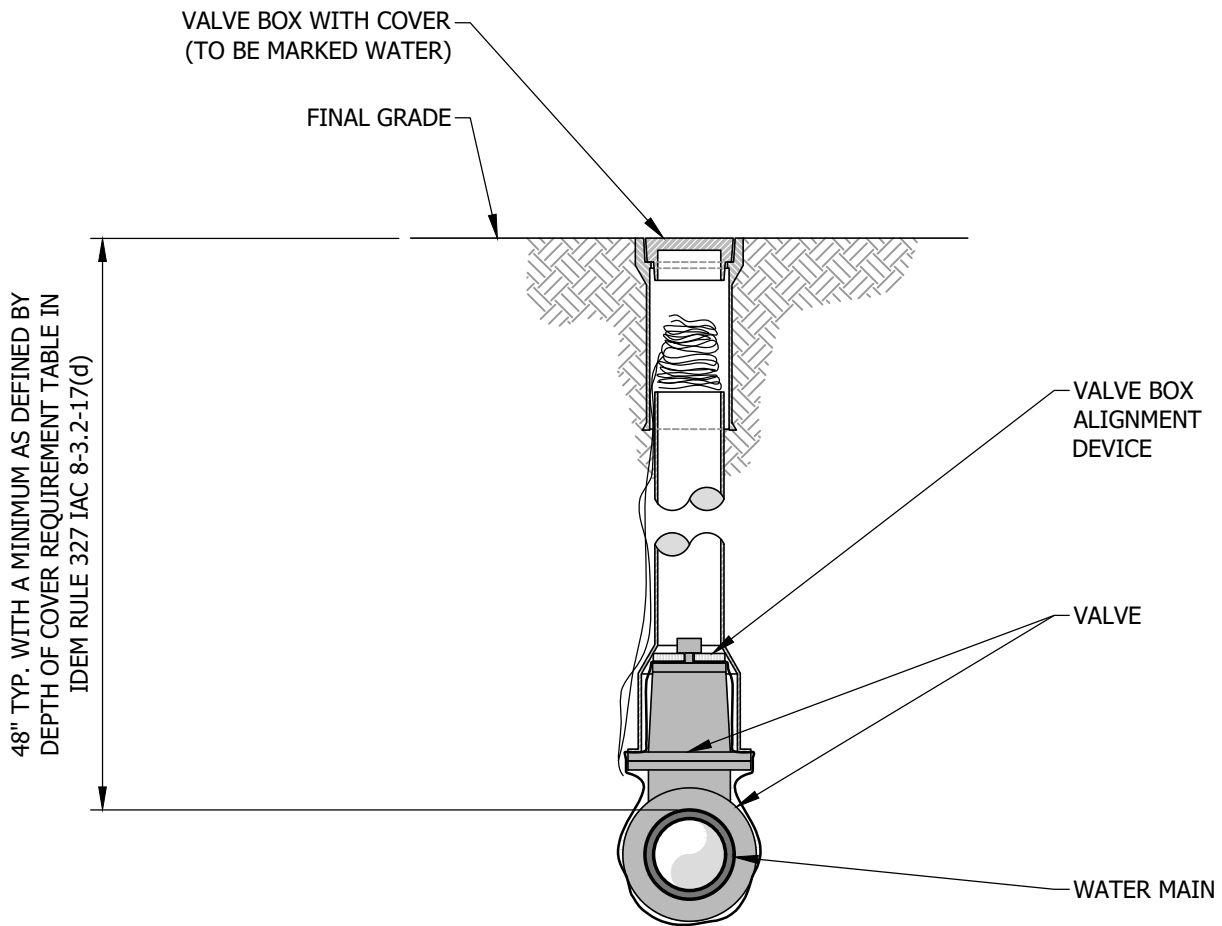


File: J:\ENGINEER\AUTOCAD\Standards\Detail Drawings\Water\DW03R- Gate Valve Installation Detail.dwg



GATE VALVE INSTALLATION DETAIL

Approved: 02/28/17

Adopted: 02/28/17

Figure

Approved By: Michael D. Labitzke, P.E.

Scale: N.T.S.

DW03