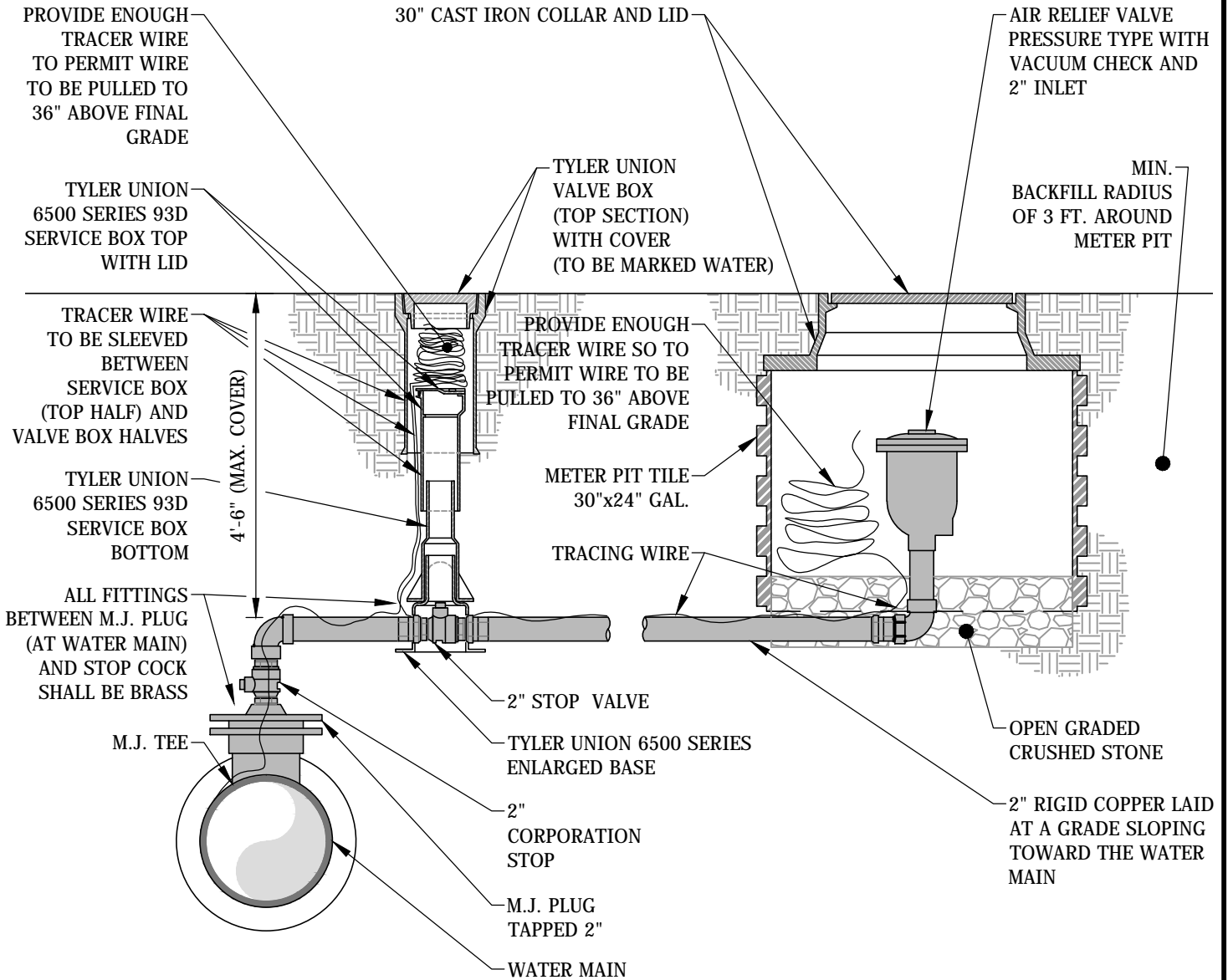


File: J:\ENGINEER\AUTOCAD\Standards\Detail Drawings\Water\DW06-Air Relief Assembly (non-traffic rated).dwg



Michael D. Labitzke
 REGISTERED
 No. 19900215
 STATE OF INDIANA
 PROFESSIONAL ENGINEER
 June 9, 2015



AIR RELIEF ASSEMBLY (NON-TRAFFIC RATED)

Approved: 06/09/15

Adopted: 06/09/15

Figure

Approved By: Michael D. Labitzke, P.E.

Scale: N.T.S.

DW06