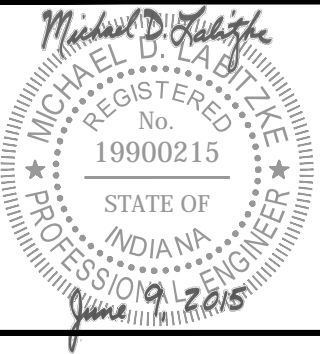
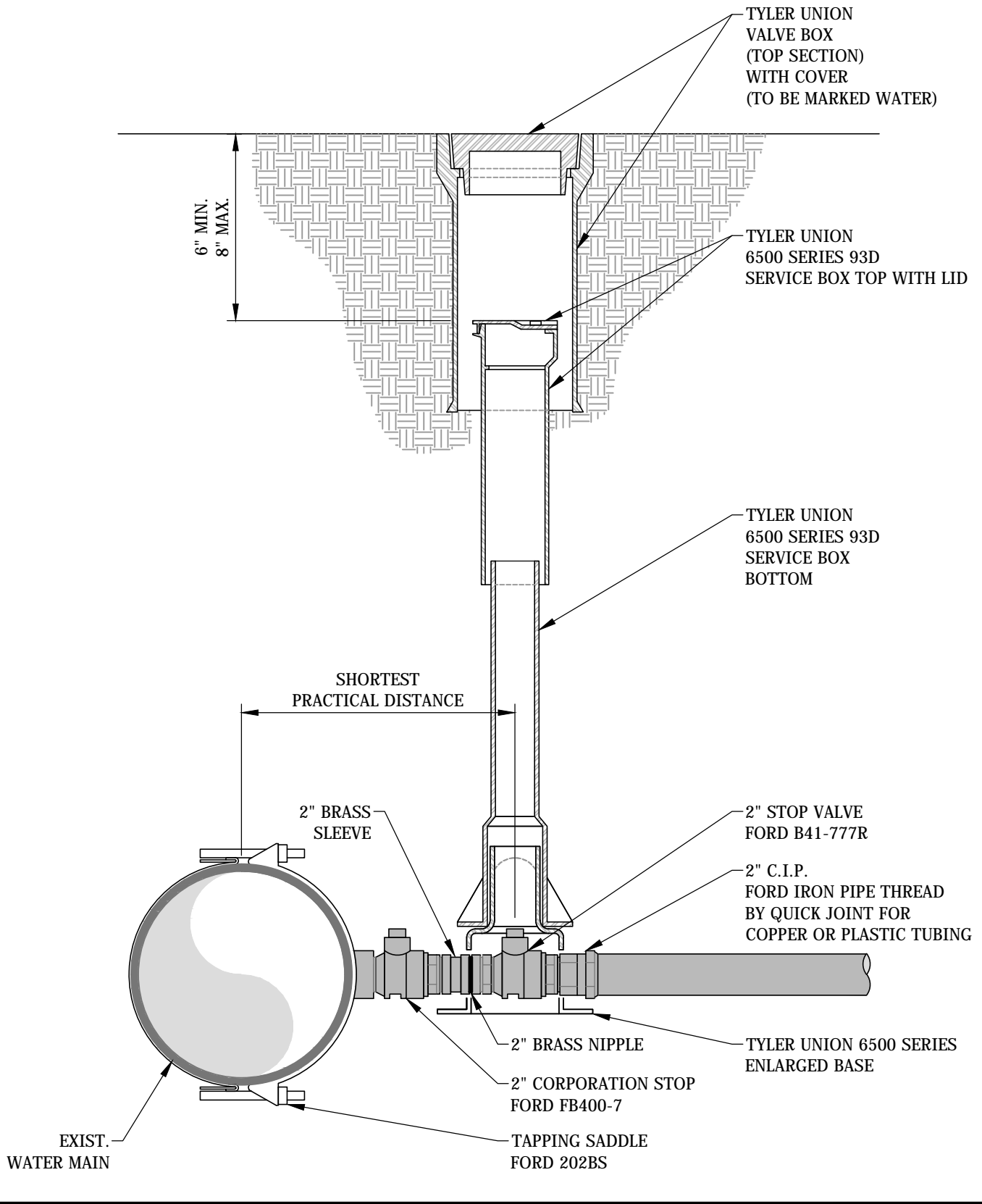


File: J:\ENGINEER\AUTOCAD\Standards\Detail Drawings\Water\DW21-2in Tap Detail.dwg



## 2" TAP DETAIL

Approved: 06/09/15	Adopted: 06/09/15	Figure <b>DW21</b>
Approved By: Michael D. Labitzke, P.E.	Scale: N.T.S.	