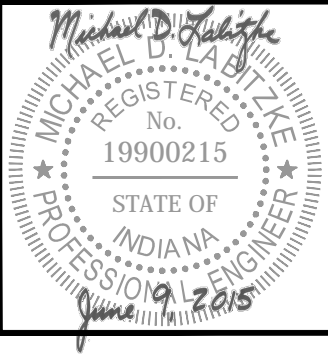
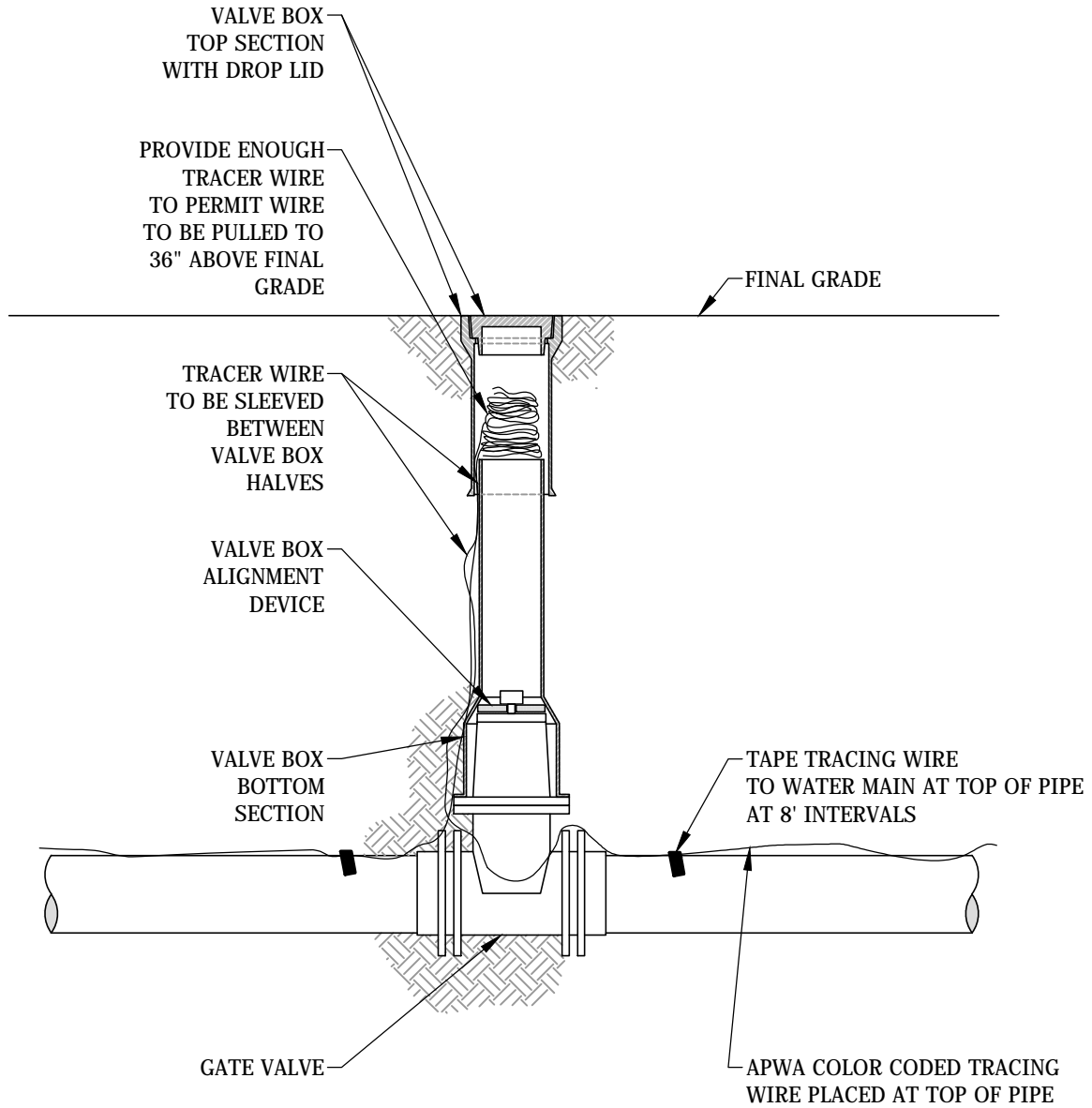


File: J:\ENGINEER\AUTOCAD\Standards\Detail Drawings\Water\DW02- Tracing Wire Detail.dwg



TRACING WIRE DETAIL

Approved: 06/09/15	Adopted: 06/09/15	Figure DW02
Approved By: Michael D. Labitzke, P.E.	Scale: N.T.S.	