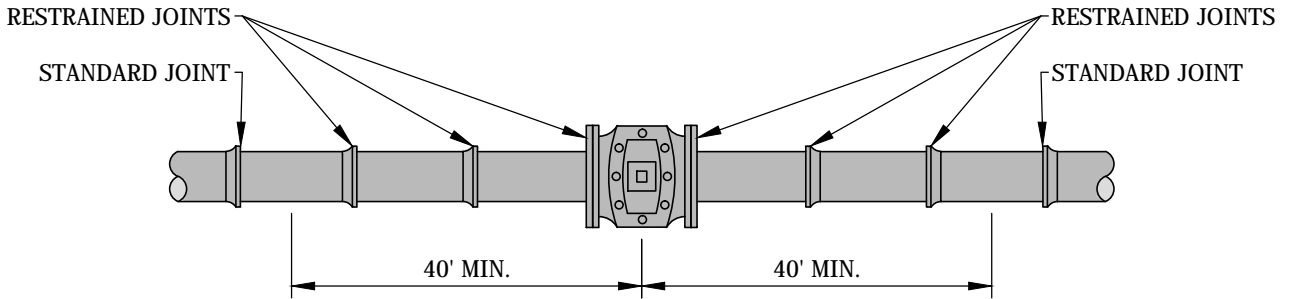
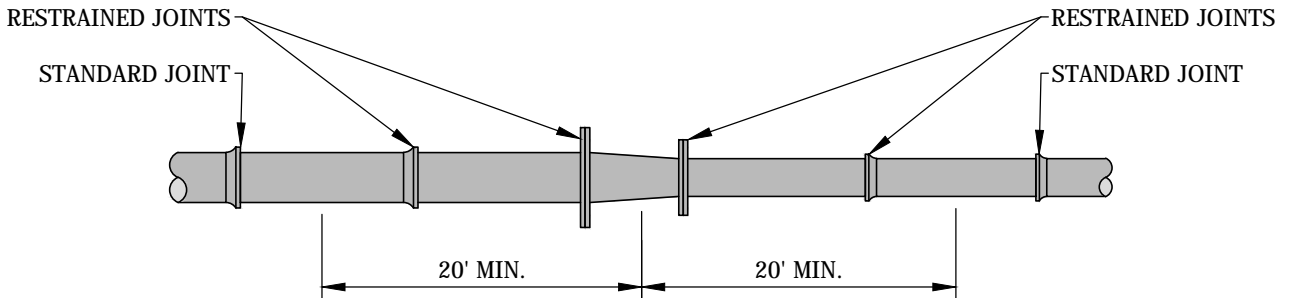


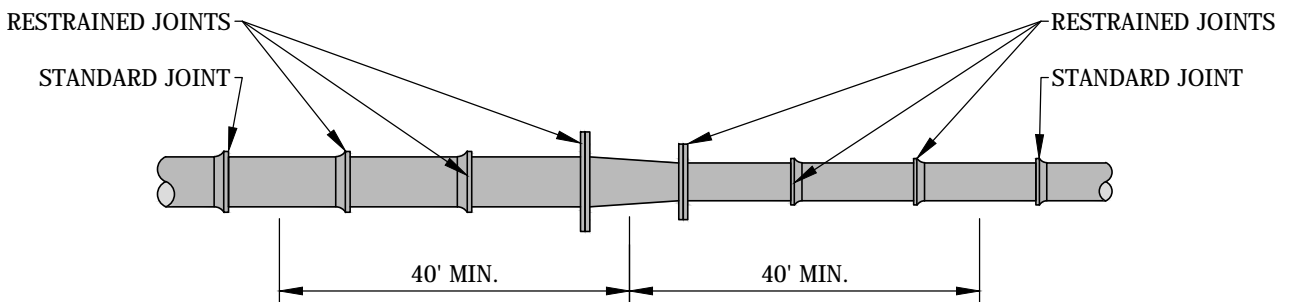
VALVES (NON-DEAD END) 8" AND SMALLER



VALVES (NON-DEAD END) 12" AND LARGER

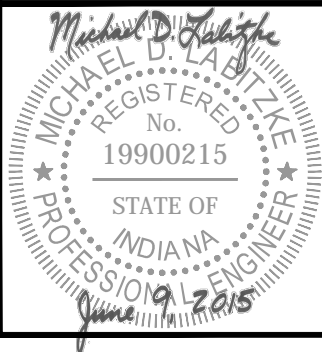


REDUCERS - LARGER PIPE DIAMETER IS 8" OR SMALLER



REDUCERS - LARGER PIPE DIAMETER IS 12" OR LARGER

File: F:\ENGINEER\AUTOCAD Standards\Detail Drawings\Water\DW10-Typical Restraining for Valves and Reducers.dwg



**TYPICAL RESTRAINING
FOR VALVES AND REDUCERS**

Approved: 06/09/15

Adopted: 06/09/15

Figure

Approved By: Michael D. Labitzke, P.E.

Scale: N.T.S.

DW10